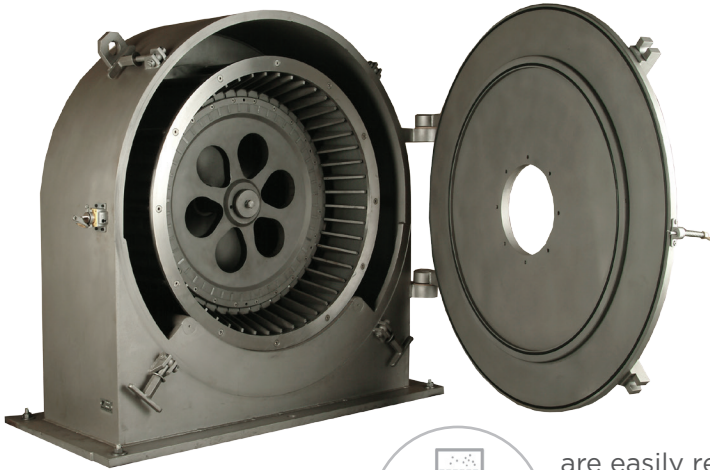


Fine Grinders



Prater Fine Grinders (M Series Mills) are designed to grind dry, free-flowing material as fine as 400 mesh (37 microns) with very tight distribution of particle size. The highly efficient design allows for ease of access to all internals and is well suited for heat sensitive materials such as resins and sugar. Six sizes are available from the 3 HP M-19 bench scale lab mill to the 300 HP M-101.

Designed for a close tolerance between the rotor blades and the grinding jaw/screen frame assembly to produce a more uniform and finer grind. The larger screen to horsepower ratio allows for more capacity. Removing one bolt allows quick removal of the rotor. Rotor blades are easily replaced without further rotor balancing needed.

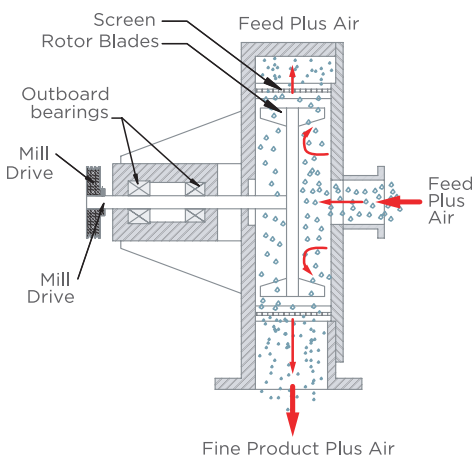
FEATURES

- Standard safety devices
- Replaceable grinding blades
- Grinding jaws
- Simple maintenance
- Reversible rotor
- Sanitary construction available
- Single pass grinding



Prater Fine Grinders utilize a high-speed impact principle. The feed material is metered into the center of the mill, where it is impacted by the rotor. The feed material is then thrown outward where it impacts with other particles, aiding in the reduction process. After initial impact, particles are projected across the screen and are sheared between the blades of the rotor and the sizing screen or jaws. This action continues until the particles are properly sized and are discharged through the bottom of the mill.

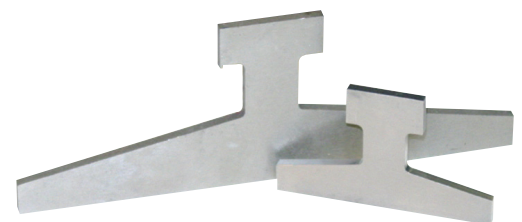
All Prater Fine Grinders come with an automatic safety door interlock. This device prevents access to mill internals during operation and prevents dangerous access.



Grinding Jaws provide for a finer grind and a more precise particle distribution

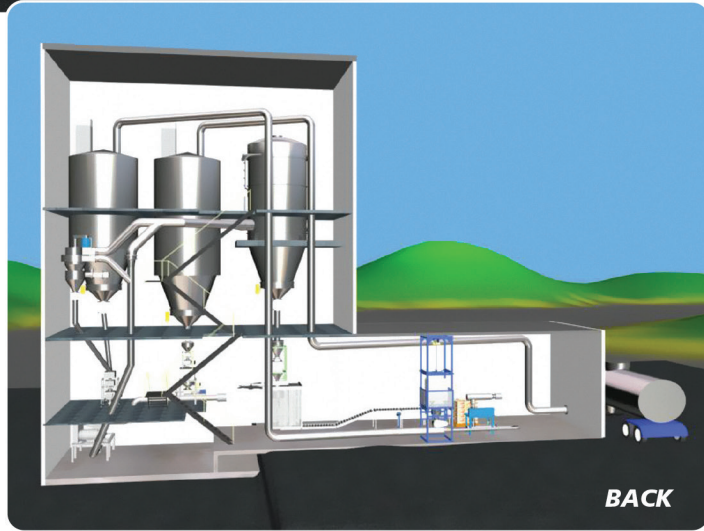
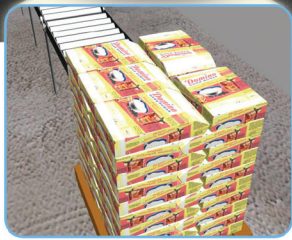
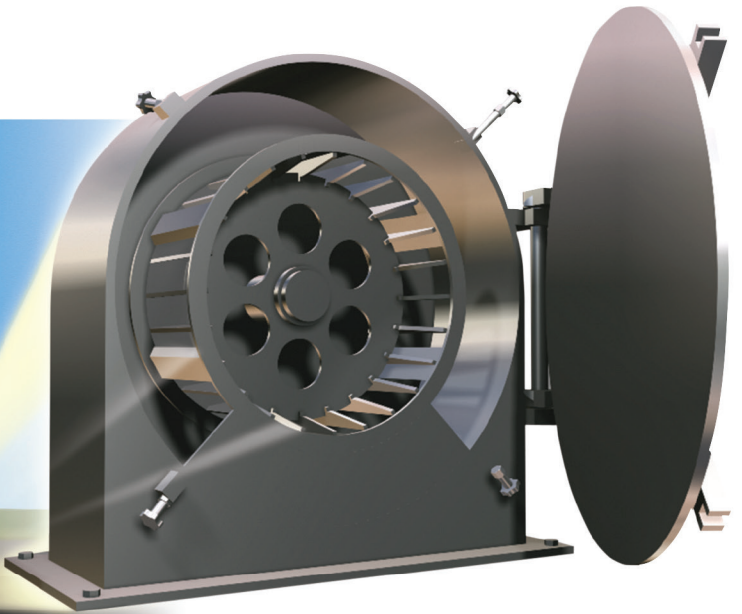


Sieve Ring Assembly with Six Jaws



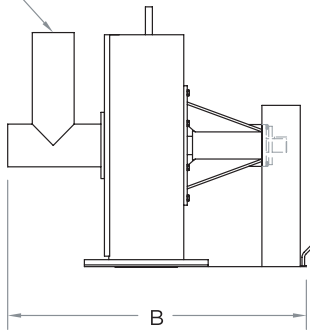
Replaceable Grinding Blades

FRONT

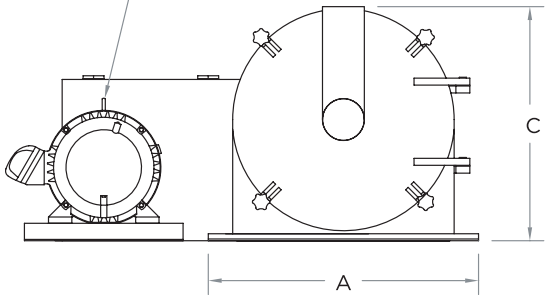


BACK

INLET



MOTOR



GENERAL DIMENSIONS*

| MODEL NUMBER | HP | NOMINAL AIRFLOW CFM | A in mm | B in mm | C in mm |
|--------------|---------|---------------------|------------|--------------|-------------|
| M-19 | 3-5 | 150 | 15 381 | 13 330 | 12.5 318 |
| M-21 | 10-15 | 600 | 21 533 | 27 559 | 19 483 |
| M-36 | 20-30 | 900 | 28 711 | 35.75 908 | 26.5 673 |
| M-51 | 40-60 | 1500 | 39 991 | 44 1118 | 34 864 |
| M-76 | 75-125 | 3000 | 48 1219 | 65 1651 | 48 1219 |
| M-101 | 125-300 | 6000 | 62 1575 | 77 1956 | 64 1626 |

* Do not use for engineering purposes. Please request a certified drawing for all layout or construction uses.

PRATER[®]
AIRLOCKS • MILLS • SEPARATORS

2 Sammons Court, Bolingbrook, IL 60440
800.323.5735 • praterindustries.com